

**Drawing Number:** 7223

**Product Code:** SS404

Permutation :

**Step 320 20 x 70**

**Type of Test**

TYPE TEST

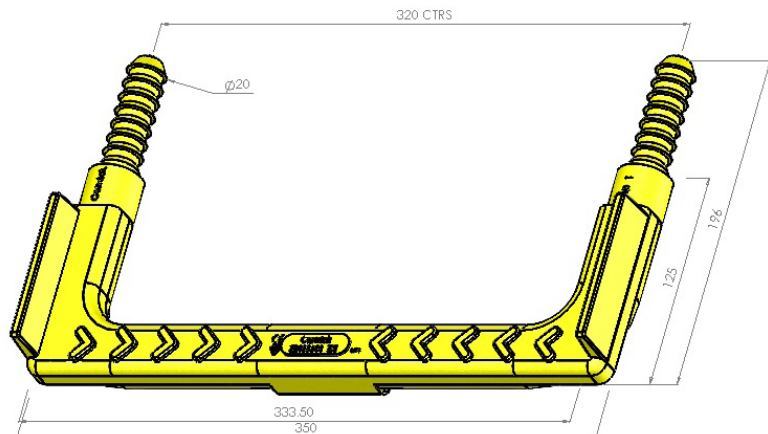
**Standard Tested to**

EN13101:2002 (including Annex ZA1)

**Step Specification**

Step, 320mm CRS, 130mm nominal projection. Designed for fixing by adhesive into drilled holes.

**Product Image**



**Approved by**

Name: A. Turner  
Signature: *A. Turner*  
Position: Technical Manager  
Issue date: 11th March 2019

The results in this test report apply only to the samples tested, using the method tested as detailed in this report. This test report does not indicate certification or approval of any product to any standard. This report may not be used to advertise any product without written consent from the Managing Director of Caswick Ltd. Caswick Ltd have to right to refuse the publication of this report to any person(s) without giving reason. Caswick reserve the right to change the information in this report at any time.

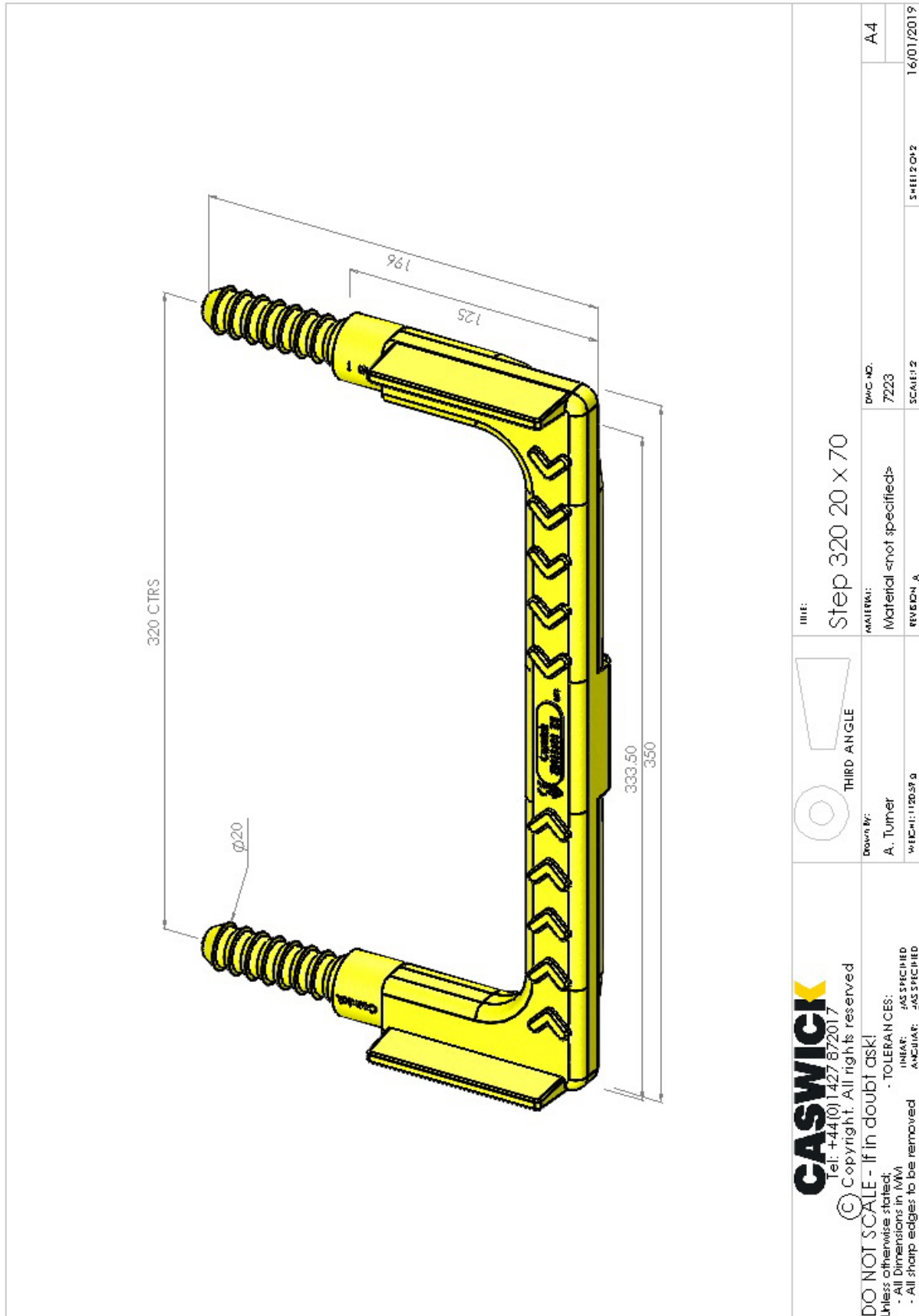
\*\*All test results given in this document are taken from a random step sample. The step is picked at random from normal production and tested in accordance with standard EN13101. Although routine random sample testing is carried out to ensure our products meet the highest standard, due to variations beyond our control the results given here may vary slightly to the product supplied to you. All steps will comply with EN13101.\*\*

<b>Content</b>	Product Overview	<b>Page 1</b>
	Intended Use	<b>Page 1</b>
	Product Drawing	<b>Page 2</b>
	Materials	<b>Page 3</b>
	Type	<b>Page 3</b>
	<b>Typical Results:</b>	
	Dimension Check	<b>Page 4</b>
	Limit of Insertion	<b>Page 5</b>
	Surface Condition	<b>Page 5</b>
	Corrosion Resistance	<b>Page 5</b>
	Twist Test	<b>Page 5</b>
	Vertical Load Test	<b>Page 6</b>
	Pullout Test	<b>Page 8</b>
	Impact Test	<b>Page 8</b>
	Plastic Integrity	<b>Page 8</b>
	Encapsulation Thickness	<b>Page 9</b>
	Marking	<b>Page 10</b>

<b>Product Overview</b>	320mm centres
	130mm nominal projection
	Bright colour
	Side plate (boot stop)

<b>Intended use</b>	Incorporating into concrete structures. Fitting methods; - Drill and glue
---------------------	--

**Product Drawing**



**Materials**

**Section 4.2**

Where appropriate the step materials shall conform to the following;

Category	Type	Required Standard	Actual Standard
	Steel	Steel to EN 10025 or ENV 10080:1995 or current equivalent	EN10305
		Stainless steel to EN10088-1 or EN10088-3 grade X6CrNiTi18-10 or better	Special Order
Plastics	Polyethylene	Minimum density 0.935 g/cm <sup>3</sup> as tested in ISO 1183	N/A
	Polypropylene	Polypropylene Copolymer	PP Block Copolymer High Impact

**EN 13101:2002 Type**

**Requirement – Section 4.3.1**

**Requirement**

Steps shall be one of the following types;

**Type A** – Circular tread without patterned surface, without upstand

**Type B** – Circular tread without patterned surface, with upstand

**Type C** – Any shape tread with patterned surface, without upstand

**Type D** – Any shape tread with patterned surface, with upstand

**Result**

The step is a type D

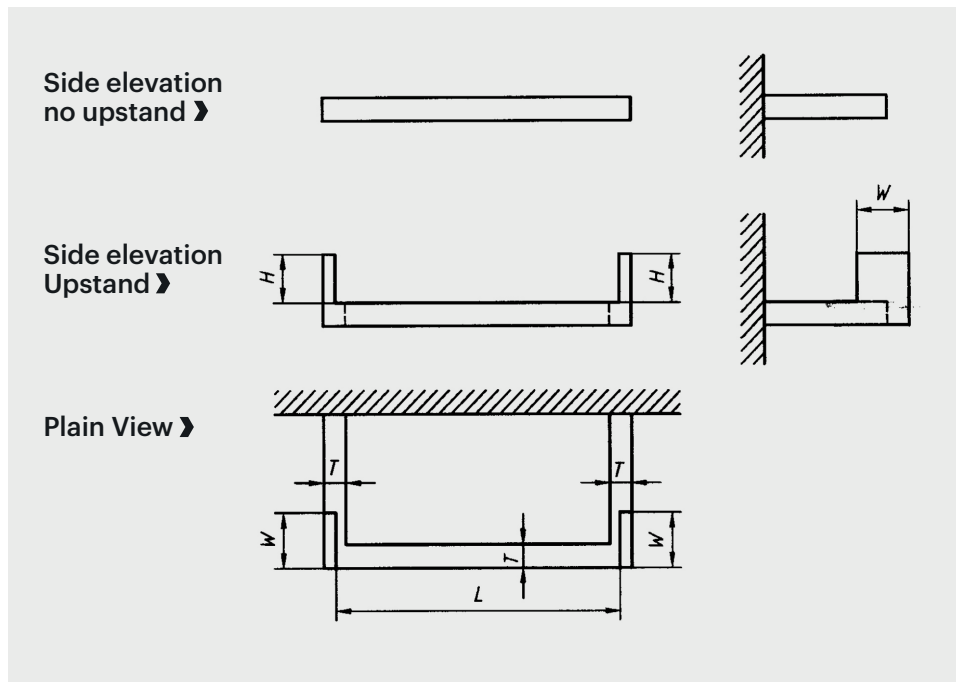
## EN 13101:2002 Dimension Check

Requirement – Section 4.3.2

### Requirement

When measured at the points shown on the diagram below, the dimensions must be within the range set in the table below.

### Result



Dimension	Specified (mm)		Actual (mm)
	Single	Double	
Width of tread (T)	>20	>20	29.4
Length of tread (L)	>145	>250	330
Stand off distance (P)	>120	>120	125
Upstand (H)	5 to 20	>= 20	21.0
Upstand (W)	>=25	25 to 100	87.0

**Note:** Dimensions H & W are requirements of step type B & D only

Is the upstand on double steps within 70mm from the front of the tread?

Yes  No

**EN 13101:2002 Limit of Insertion:** Requirement – Section 4.3.3

Is the depth of insertion defined by a change in section or mark?

Yes  No

**EN 13101:2002 Surface Condition:** Requirement – Section 4.3.4

Is the step free from visible defects, protrusions and sharp edges?

Yes  No

**EN 13101:2002 Corrosion Resistance:** Requirement - Section 4.3.5

Material	Requirement	Sample
Steel	Galvanized to EN ISO 1461	
	Plastic Encapsulation	Yes

**EN 13101:2002 Twist test:** Requirement – Section 4.3.6  
Procedure – Annex A

**Requirement:** When supported on pins in three locations, the centre of the tread and at each tail, the variation in height along the length of the tread shall not vary more than 5mm for a double step and 3mm for a single step.

Position	Max Allowable	Gap (mm)
Left Quarter		19.3
Centre		20.0
Right Quarter		21.1
Range	3mm Single 5mm Double	1.8

**EN 13101:2002 Vertical load test:** Requirement – Section 4.3.7  
 Procedure – Annex B

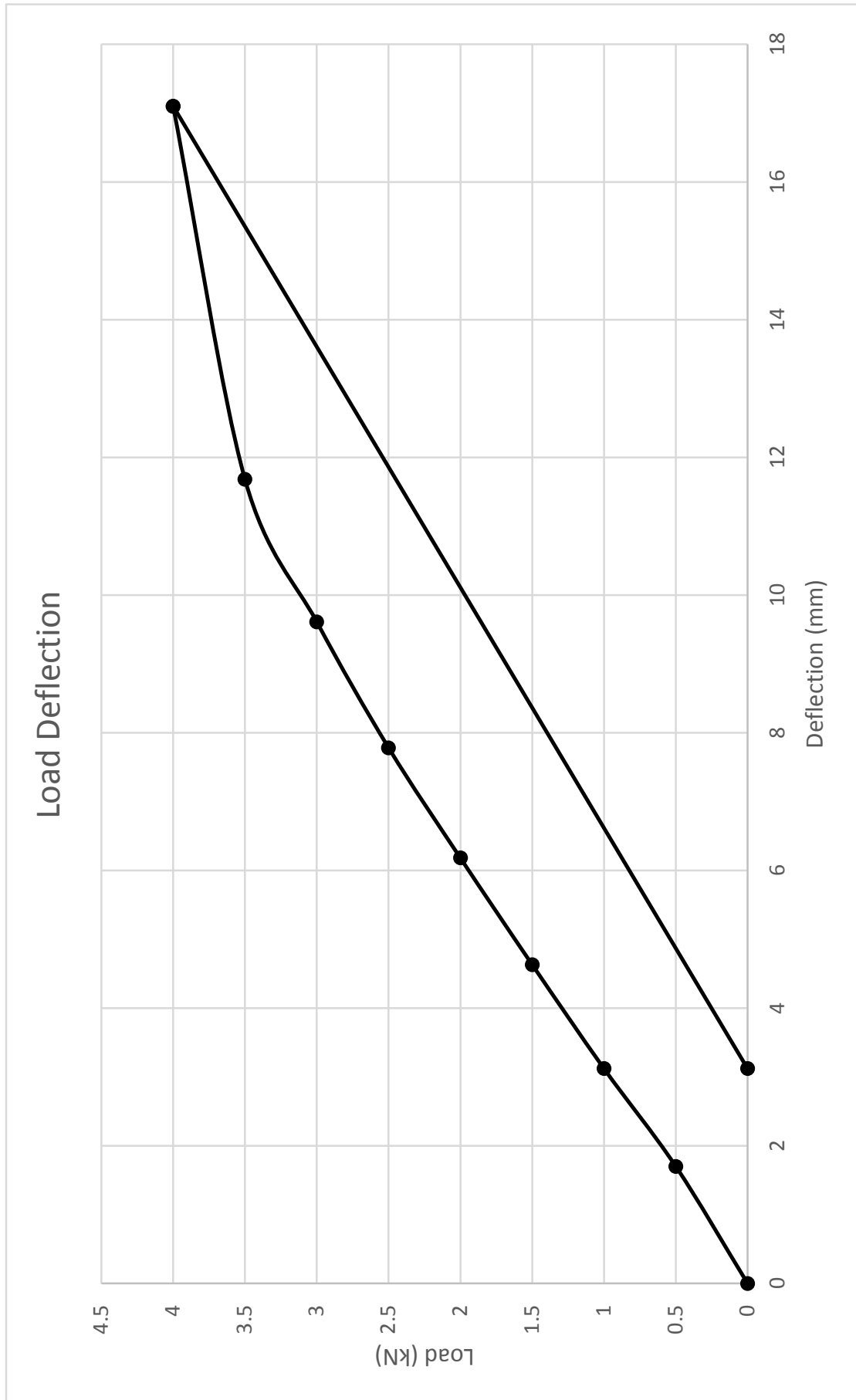
**Requirement:** When loaded at the centre of the tread vertically down, the step must not deflect more than 10mm under a load of 2kN and return to within 2mm once the load is released. A load of 4kN must then be applied, once this load is released the step deflection must return to within 10mm.

**Results:** \*\*LOAD AT A RATE OF 1kN/min TO 3kN/min\*\*

Procedural Event	Deflection (mm)	
	Actual	Max Allowable
Zero Dial Gauge and Load cell		
Load to 0.5kN	1.11	
Load to 1.0kN	2.44	
Load to 1.5kN	3.94	
Load to 2.0kN and hold for 60 seconds	6.31	10mm
Return to 0.0kN and allow to settle	0.52	2mm

Zero Dial Gauge and Load cell		
Load to 0.5kN	1.70	
Load to 1.0kN	3.12	
Load to 1.5kN	4.63	
Load to 2.0kN	6.18	
Load to 2.5kN	7.78	
Load to 3.0kN	9.61	
Load to 3.5kN	11.68	
Load to 4.0kN and hold for 60 seconds	17.10	
Return to 0.0kN and allow to settle	3.12	10mm

Did the plastic fracture?    Yes     No





**EN 13101:2002 Pullout test:** Requirement – Section 4.3.9  
 Procedure – Annex D

**Requirement:** The step must withstand a force of 5kN applied in the horizontal plane away from the fixing for 60 seconds without sign of failure.

**Results:**

Procedural Event	Load (kN)
Load to 5.0kN in no more than 60 seconds without shocking the step. Hold for 60seconds.	
Load at failure or load sustained	>5kN for 60s

**EN 13101:2002 Impact test:** Requirement – Section 4.3.10  
 Procedure – Annex E

**Requirement:** A step conditioned at 20°C for 4 hours must withstand a 20kg mass dropped on its tread from a height of 1 meter without signs of failure. After impact the step must provide an electrical resistance of at least 1MΩ at 500v when immersed in a water based solution for 30 minutes.

**Results:** Step held at 20°C for 4 hours.

**Visual assessment of step after impact:**  
 No cracks in plastic

**EN 13101:2002 Plastic Integrity test after Impact:**

Reading 1 (M Ohms): >999  
 Reading 2 (M Ohms): >999

**EN 13101:2002 Plastic Integrity test:** Requirement – Section 4.3.11  
 Procedure – Annex F/G

**Requirement:** The step must provide an electrical resistance of at least 1MΩ at 500v when immersed in a water based solution for 30 minutes.

**Results:** Reading 1 (M Ohms): >999  
 Reading 2 (M Ohms): >999

**EN 13101:2002 Encapsulation**

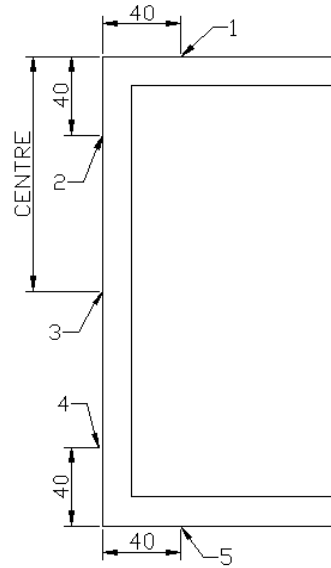
**Thickness Test:**

Requirement – Section 4.3.12

Procedure – Annex H

**Requirement:**

When cut at the 5 positions shown below, the encapsulation thickness must be 2.5mm or over.



	Thickness of Cover (mm)	
	Min Specified	Actual
Point 1	2.5	7.4
Point 2	2.5	6.4
Point 3	2.5	6.3
Point 4	2.5	6.7
Point 5	2.5	6.8

**Marking:**

Section 6

The following shall be visible after installation;

**Marking Requirements**

**Present?**

"EN13101"	Yes <input checked="" type="checkbox"/>	No <input type="checkbox"/>
Manufactures Identification	Yes <input checked="" type="checkbox"/>	No <input type="checkbox"/>
Material Code (see below)	Yes <input checked="" type="checkbox"/>	No <input type="checkbox"/>
Type and class	Yes <input checked="" type="checkbox"/>	No <input type="checkbox"/>

Material	Solid	Tubular
Mild Steel	<b>MSS</b>	MST
Stainless Steel	SSS	SST

Material codes - Table 3 from EN 13101:2002

**Additional marking on this product  
(for information purposes only);**

CE Mark next to manufacturers name?	Yes <input checked="" type="checkbox"/>	No <input type="checkbox"/>
Third party certification body (BSI Kitemark)?	Yes <input checked="" type="checkbox"/>	No <input type="checkbox"/>