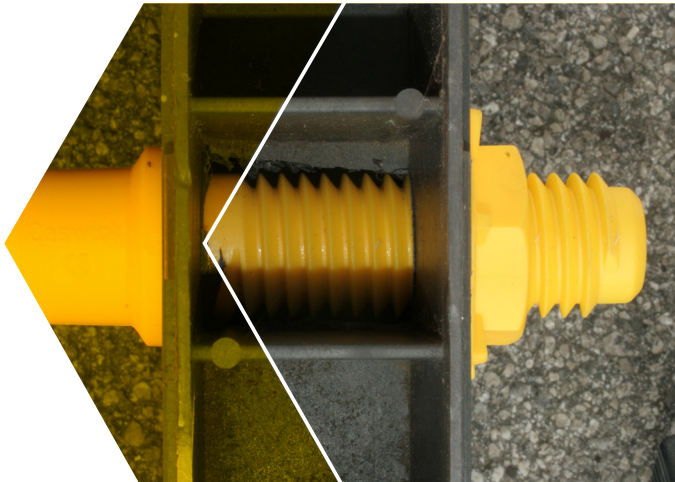


Description:

The plastic encapsulated bolt through step is intended to provide access and egress from underground man entry chambers. The step is designed to be fitted at the chamber manufactures premises or on site by passing the end of the step through formed holes and securing with nuts



Application:

The Caswick bolt through step is primarily designed to work with curved or flat walled thermoplastic or GRP chambers with a wall thickness of up to 66mm. Two 28mm diameter holes are formed at 300mm horizontal centres, the step is pushed through and the nut is secured on the back with a 36mm spanner.

Options:

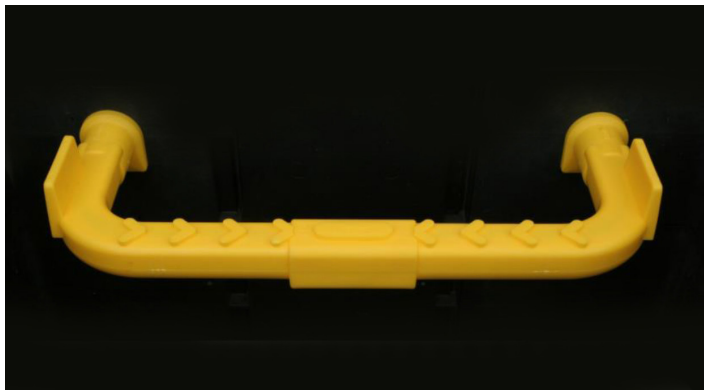
The step is available to work with either a flat wall or a curved wall. The curved wall version is supplied with variable angle washers to adapt to chamber diameters of 900mm plus. Alternatively a stainless steel version is available suitable for 150mm or 200mm nominally thick walls.

Performance:

The Caswick bolt through step is CE certified and manufactured in a UK located factory operating an ISO9000 based quality system. For top load performance the wall of the chamber must not be flexible. Load spreading plates may be required. The ultimate performance of the product is subject to installation.

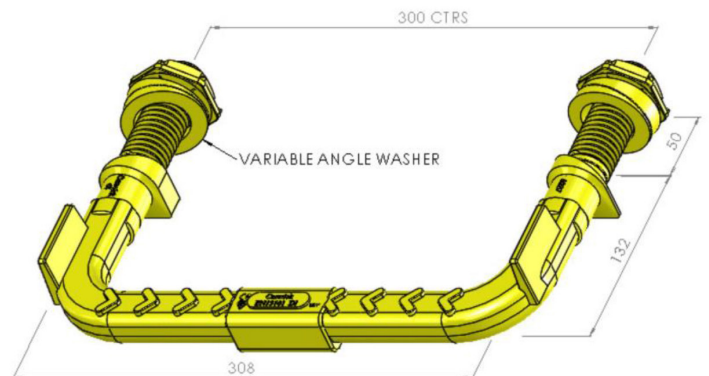
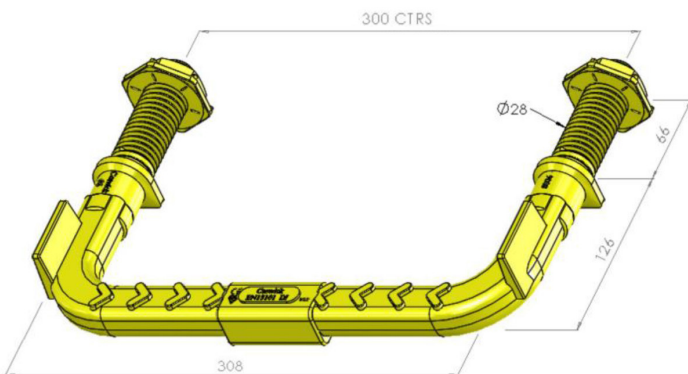
Specification:

The step is manufactured from virgin polypropylene with carbon steel tubular reinforcement. The nut is manufactured from virgin polypropylene. The step is coloured yellow for high visibility, has a none slip tread and boot stops. The nut has anti-rotation features.



SS601 - Bolt Through Step for Flat Walls

SS611 - Bolt Through Step for Curved Walls



Description:

The bolt through step is intended to provide access and egress from underground man entry chambers. The step is designed to be fitted at the chamber manufactures premises or on site by passing the end of the step through formed holes and securing with nuts on the outside of the chamber.

Application:

The Caswick bolt through stainless steel step is primarily designed to work with curved or flat walled plastic, GRP or concrete chambers with a wall thickness of up to 200mm. Two 16mm diameter holes are formed at 320mm horizontal centres, the step is pushed through and the nut is secured on the back with a 24mm spanner.

Options:

The step is ordered to work with curved walls. They are suitable for 150mm or 200mm nominally thick walls. Alternatively fully encapsulated versions are available for flat or curved walls with a nominal thickness of upto 66mm. Contact Caswick for more details.

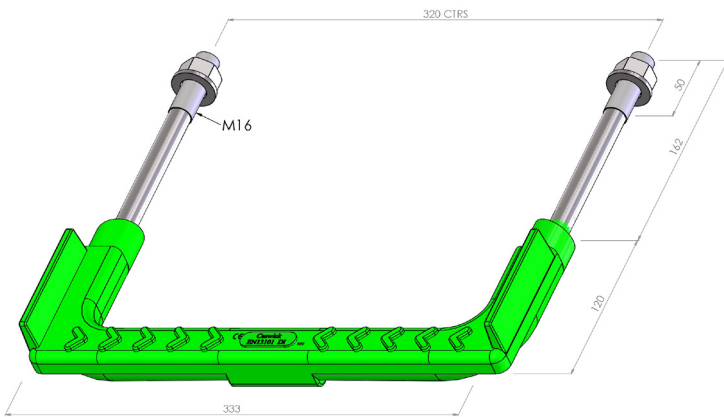
Performance:

The Caswick bolt through step is CE certified and manufactured in a UK located factory operating an ISO9000 based quality system. For top load performance the wall of the chamber must not be flexible. Load spreading plates may be required. The ultimate performance of the product is subject to installation.

Specification:

The step is manufactured from virgin polypropylene with 304 stainless steel reinforcement, nut and washer. The

SS257 - Step 320 Stainless 150 x M16



SS258 - Step 320 Stainless 200 x M16

